



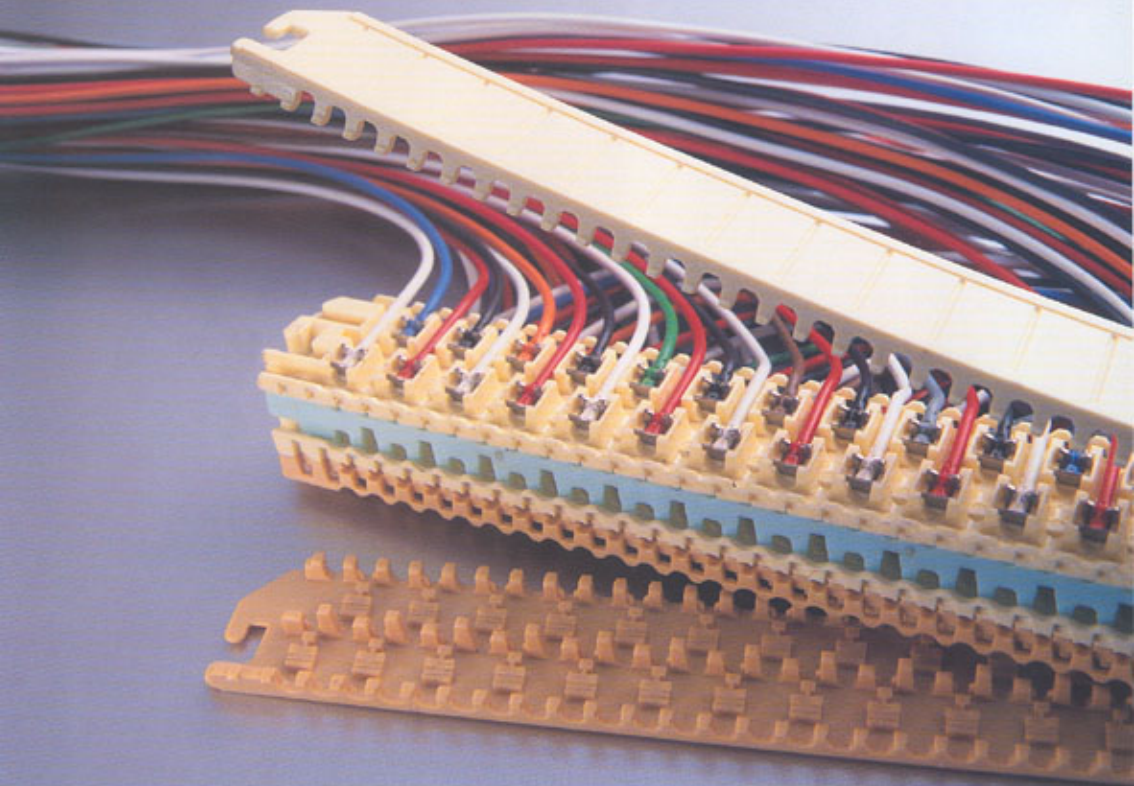
BELLCORE TESTED

Bellcore AU-639



Yak-12 Module

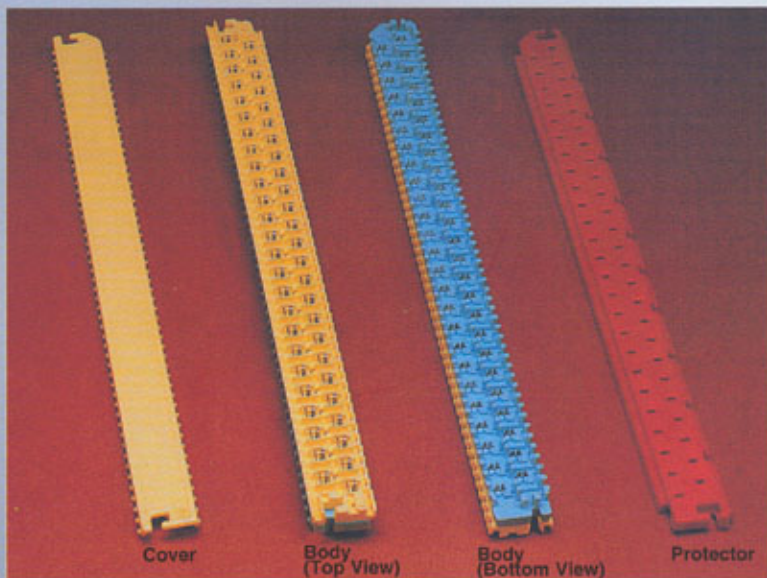
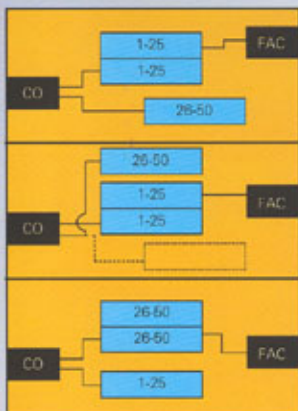
- ★ YAK-12 pluggable module permits you to rearrange and transfer working circuits without interrupting service.
- ★ The YAK-12 pluggable module will accommodate 0.35-0.8 mm (27-20 AWG) copper conductors with a maximum isolation outer diameter of 1.65 mm.
- ★ YAK-12 pluggable module is designed for use in bridging applications with the YAK-3 module and also mates with other YAK-12 pluggable modules, allowing multiple counts as much as necessary.
- ★ YAK-12 module will increase productivity and efficiency and eliminates expenses by reducing the time used for cutting and resplicing conductors.



Transferring without cutting and resplicing

With Kunt YAK-12 pluggable module you can transfer 25 pairs at a time without cutting and resplicing the conductors. The only thing you need to do with YAK-12 is to plug and unplug to the existing 25 pair YAK-3 module of Kunt.

When it is required you can transfer approximately 100-120 pairs per hour instead of 300 pairs per day in the old system.



Cutting in and out load coils

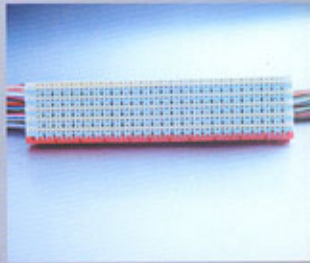
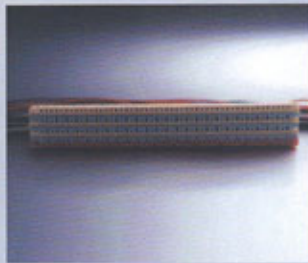
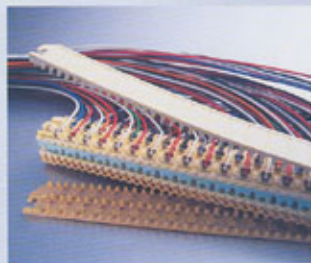
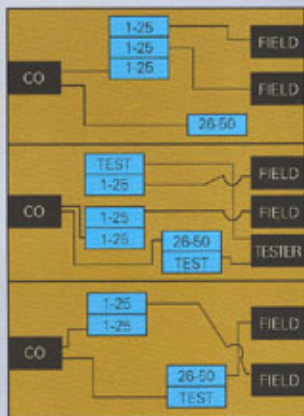
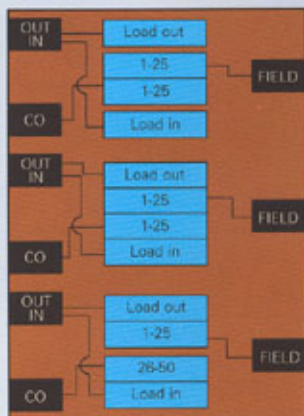
Following the procedures stated below with Kunt YAK-12 pluggable module there is no need for strapping and circuits are not interrupted. The only thing you need to do is to connect and disconnect by plugging to the top and bottom of existing 25 pair YAK-3 module of Kunt.

High efficiency in testing capabilities

Kunt YAK-12 module permits easy access for testing and transferring with either single or 25 pair test probes without interrupting services and avoid customer inconvenience.

Advantages of the Preconnecting

Cable stubs, test sets, terminals, load coils and other apparatus can preconnectorized at work center of telecom companies, thus reducing the labor cost to the minimum and avoiding splicing errors. Kunt YAK-12 pluggable module is spliced for ever, it is simply plugged, unplugged and replugged as the job demands.



PRODUCT VARIATIONS

CODE DESCRIPTION

Yak-12	25 pair module ; dry
Yak-12C	25 pair module ; on strip jelly
Yak-12F	25 pair flame retardant (UL 94V-0) module
Yak-12T	25 pair transparent module
Yak-12U	25 pair half tap module
Yak-12CT	25 pair transparent module ; on strip jelly

Connector Type	Wire Diameter		max. insulation outer diameter	length x width x height	
	mm	AWG		mm	inch
Yak-12	0,35 - 0,80	27 - 20	1,65 mm / 0,065	165 x 15 x 126,5	0,6 x 0,5
Yak-12C	0,35 - 0,80	27 - 20	1,65 mm / 0,065	165 x 15 x 126,5	0,6 x 0,5
Yak-12F	0,35 - 0,80	27 - 20	1,65 mm / 0,065	165 x 15 x 126,5	0,6 x 0,5
Yak-12T	0,35 - 0,80	27 - 20	1,65 mm / 0,065	165 x 15 x 126,5	0,6 x 0,5
Yak-12U	0,35 - 0,80	27 - 20	1,65 mm / 0,065	165 x 15 x 126,5	0,6 x 0,5
Yak-12CT	0,35 - 0,80	27 - 20	1,65 mm / 0,065	165 x 15 x 126,5	0,6 x 0,5

PACKING INFORMATION

Code	Quantity	BAG		Quantity	BOX	
		Size			Size	
		cm	inch		cm	inch
Yak-12	100	26 - 45	10 x 18	500	19 x 29,5 x 42	7,5 x 11,5 x 16,5
Yak-12C	100	26 - 45	10 x 18	500	19 x 29,5 x 42	7,5 x 11,5 x 16,5
Yak-12F	100	26 x 45	10 x 18	500	19 x 29,5 x 42	7,5 x 11,5 x 16,5
Yak-12T	100	26 x 45	10 x 18	500	19 x 29,5 x 42	7,5 x 11,5 x 16,5
Yak-12U	100	26 x 45	10 x 18	500	19 x 29,5 x 42	7,5 x 11,5 x 16,5
Yak-12CT	100	26 x 45	10 x 18	500	19 x 29,5 x 42	7,5 x 11,5 x 16,5

Important Notice To Purchaser: All statements, technical information and recommendations contained herein are based on tests we believe to be reliable, but the accuracy or completeness thereof is not guaranteed, and the following is made in lieu of all warranties, express or implied: Seller's and manufacturer's only obligation shall be to replace such quantity of the product proved to be defective. Neither seller nor manufacturer shall be liable for any injury, loss or damage, direct or consequential, arising out of the use of or the inability to use the product. Before using, user shall determine the suitability of the product for this intended use, and user assumes all risk and liability whatsoever in connection therewith. No statement or recommendation not contained herein shall have no force or effect unless in an agreement signed by officers of seller and manufacturer.



Address : İkitelli Organize Sanayi Blg.
Turgut Özal Cad. No: 210
34670 İkitelli-İstanbul
Tel : 90 212 549 74 74
Fax : 90 212 549 74 75
Web : www.kunt.com.tr
e-mail : support@kunt.com.tr